

**For more information**  
 Visit [www.valleyregionaltransit.org](http://www.valleyregionaltransit.org)  
 Call (208) 345-7433

### Holiday Schedule

No Bus Service On:

New Year's Day ..... January 1  
 Memorial Day ..... Last Monday of May  
 Fourth of July ..... July 4  
 Labor Day ..... First Monday of September  
 Thanksgiving ..... Fourth Thursday of November  
 Christmas ..... December 25

### Service Hours (Approximate\*)

#### Ada County Local Service

Weekday ..... 5:00 A.M. to 9:00 P.M.  
 Saturday ..... 7:30 A.M. to 9:00 P.M.

#### Canyon County Local Service

Weekday ..... 6:00 A.M. to 7:00 P.M.

#### Intercounty Express Service

Weekday ..... 5:30 A.M. to 7:30 P.M.

\* For route specific hours of operation, please refer to the printed or online schedules.

## MAJOR TRANSFER LOCATIONS

Main Street Station ..... Routes 1, 2, 3, 4, 5, 6, 7A, 7B, 9

Main & 8th ..... Routes 8X, 10, 11, 16, 17, 40, 43

#### Boise State

University Drive ..... Routes 1, 29, 40, 43, 45

#### College of Western Idaho

Main Campus (E. Opportunity Drive) ..... Routes 40, 42, 45, 150  
 Park & Ride Lot ..... Routes 40, 42, 150

#### Towne Square Mall

By Dillard's ..... Routes 5, 7, 8, 8X, 12, 28, 29, 42

#### Happy Day Transit Center

5907 Cleveland Boulevard ..... Routes 40, 42, 150

## BUS FARES

	LOCAL	UNIVERSAL/ INTERCOUNTY
Child (Ages 0-5).....	Free	Free
<b>Single Ride</b>		
Adult .....	\$1.50	\$4.50
Youth/Senior/ Persons with Disabilities/ Medicare Card Holder* .....	.75¢	\$2.25
<b>One Day</b>		
Adult .....	\$2.50	\$7.50
Youth/Senior/ Persons with Disabilities/ Medicare Card Holder* .....	\$1.25	\$3.75
<b>\$13.50 Stored Value Card**</b> .....		\$10
<b>\$27 Stored Value Card**</b> .....		\$20
<b>31-Day Pass**</b>		
Adult .....	\$42	\$90
Youth/Senior/ Persons with Disabilities/ Medicare Card Holder* .....	\$21	\$45

\* Youth (Ages 6-18) Senior (Ages 65+)

\*\* Available at Winco Foods in Eagle or Downtown Boise, ACHD Commuteride, Boise City Hall, Main Street Station, Happy Day Transit Center or VRT Meridian, and most Albertsons. See [valleyregionaltransit.org/fares-and-passes](http://valleyregionaltransit.org/fares-and-passes) for details.

**Local fares are good on all Local Fixed Route services (including Route 42). Universal/Intercounty fares and passes are good on all ValleyRide bus services.**

Fares subject to change



Purchase tickets on the Valley Connect App!



**valleyregionaltransit**

R17-MAY 2021

# 17

## Warm Springs

### Main & 8th

- Boise City Hall\*
- Grove Plaza

- St. Lukes Boise Medical Center

- Pioneer Cemetery

- Dora Larsen Park

- Kristen Armstrong Municipal Park

- Laura Moore Cunningham Arboretum

### Warm Springs & Haines

- Boise City Natatorium

- Idaho Botanical Gardens

- Old Idaho Penitentiary

### Old Penitentiary @ Botanical Gardens

\*Pass Outlet

### Service Available

#### MON-FRI

6:45 AM - 8:45 AM  
 EVERY 30 MIN.

8:45 AM - 3:45 PM  
 EVERY 60 MIN.

3:45 PM - 6:45 PM  
 EVERY 30 MIN.

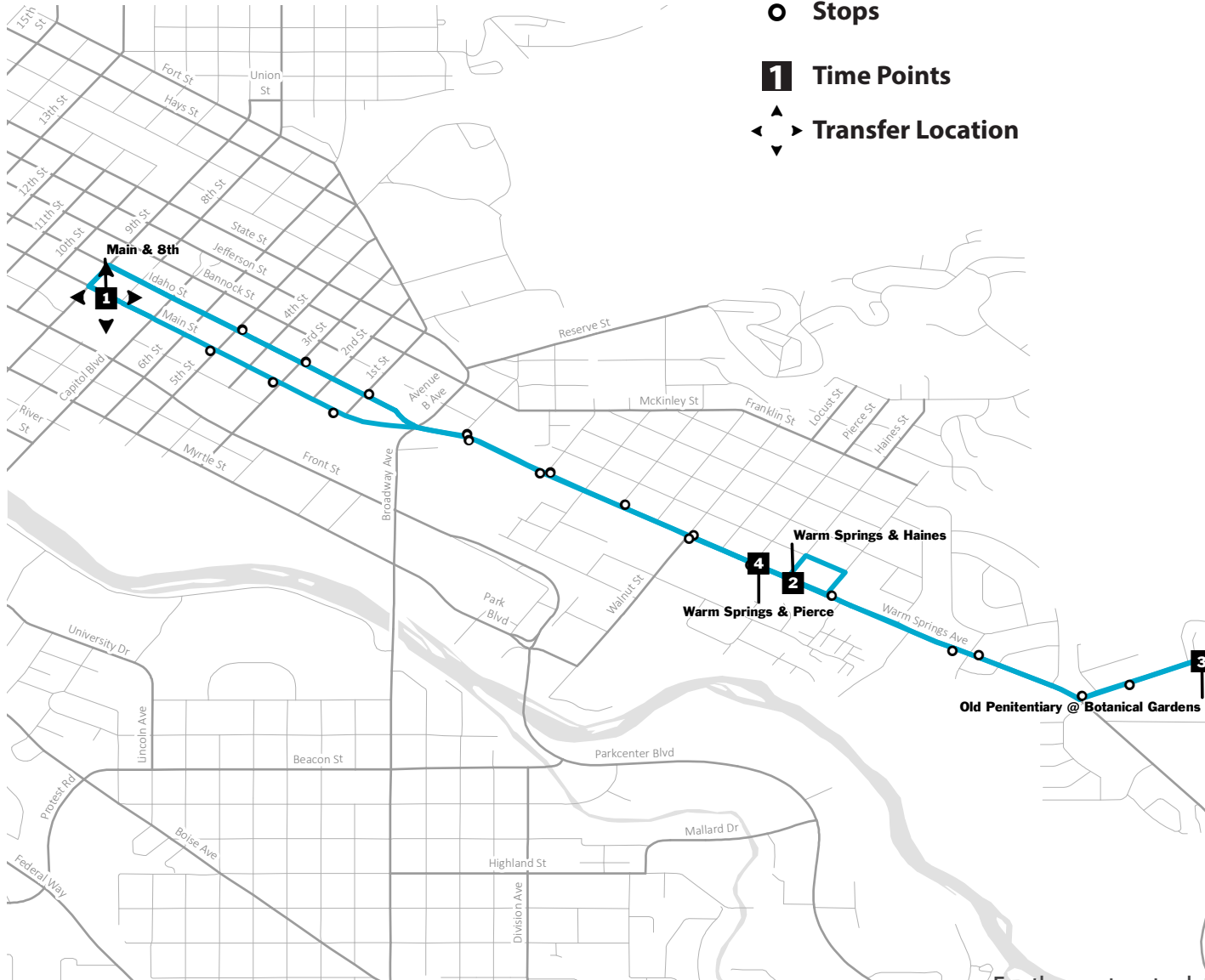


**valleyride**  
 bus  
 transportation

A Service of Valley Regional Transit

# ROUTE 17

Warm Springs



- Stops
- 1 Time Points
- ◀ ▶ Transfer Location

DOWNTOWN TO BOTANICAL GARDENS

1 Main & 8th

2 Warm Springs & Haines

3 Old Penitentiary @ Botanical Gardens

BOTANICAL GARDENS TO DOWNTOWN

3 Old Penitentiary @ Botanical Gardens

4 Warm Springs & Pierce

1 Main & 8th

## WEEKDAY

6:45	6:49	6:52	6:52	6:55	7:03
7:20	7:24	---	---	7:26	7:34
7:45	7:49	7:52	7:52	7:55	8:03
8:20	8:24	---	---	8:26	8:34
8:45	8:49	8:52	8:52	8:55	9:03
9:45	9:49	9:52	9:52	9:55	10:03
10:45	10:49	10:52	10:52	10:55	11:03
11:45	11:49	11:52	11:52	11:55	<b>12:03</b>
<b>12:45</b>	<b>12:49</b>	<b>12:52</b>	<b>12:52</b>	<b>12:55</b>	<b>1:03</b>
<b>1:45</b>	<b>1:49</b>	<b>1:52</b>	<b>1:52</b>	<b>1:55</b>	<b>2:03</b>
<b>2:45</b>	<b>2:49</b>	<b>2:52</b>	<b>2:52</b>	<b>2:55</b>	<b>3:03</b>
<b>3:45</b>	<b>3:49</b>	<b>3:52</b>	<b>3:52</b>	<b>3:55</b>	<b>4:03</b>
<b>4:20</b>	<b>4:24</b>	---	---	<b>4:26</b>	<b>4:34</b>
<b>4:45</b>	<b>4:49</b>	<b>4:52</b>	<b>4:52</b>	<b>4:55</b>	<b>5:03</b>
<b>5:20</b>	<b>5:24</b>	---	---	<b>5:26</b>	<b>5:34</b>
<b>5:45</b>	<b>5:49</b>	<b>5:52</b>	<b>5:52</b>	<b>5:55</b>	<b>6:03</b>
<b>6:20</b>	<b>6:24</b>	---	---	<b>6:26</b>	<b>6:34</b>
<b>6:45</b>	<b>6:49</b>	<b>6:52</b>	<b>6:52</b>	<b>6:55</b>	<b>7:03</b>

**BOLD = P.M.**

Routes and times subject to change without notice.  
For the most up to date information and a complete list of stops, visit [valleyregionaltransit.org](http://valleyregionaltransit.org)























**ROUTE**

**17**

Warm Springs

Each stop name also includes a three letter code to indicate the corner the stop is on. The first two letters indicate the cardinal directions, i.e. Northwest (NW), Northeast (NE) etc. The last letter indicates whether the stop is on the corner (C) or between corners, or “mid-block” (M). For example NEC means Northeast corner while NEM means Northeast midblock. See the diagram to the right for other illustrations.



Timepoint	Stop Name	Option	Other Routes
<b>1</b>	Main & 8th SWC	 	1, 2, 3, 4, 5, 6, 7A, 7B, 8x, 9, 10, 11, 16, 40, 43
	Main & 5th SWC	----	2, 16, 40, 43
	Main & 3rd SWC	 	2, 16
	Main & 1st SWC	 	2, 40, 43
	Warm Springs & Ave C SEC	----	----
	Warm Springs & Bruce SWC		----
	Warm Springs & Walnut SEC		----
	Warm Springs & Pierce SEM		----
<b>2</b>	Warm Springs & Haines SEC	----	----
	Warm Springs & Homestead SEM	----	----
	Old Penitentiary & Klotz SEM	----	----
<b>3</b>	Old Penitentiary @ Botanical Gardens NEM	----	----
	Old Penitentiary & Warm Springs NEC	----	----
	Warm Springs & Hot Springs NEC	----	----
	Warm Springs & Coston NEC		----
<b>4</b>	Warm Springs & Pierce NEC		----
	Warm Springs & Walnut NEC		----
	Warm Springs & Elm NEC		----
	Warm Springs & Bruce NEC		----
	Warm Springs & Avenue C NEC		----
	Idaho & 1st NEC	 	2, 40, 43
	Idaho & 3rd NEC		2
	Idaho & 5th NEC	 	2, 40, 43
<b>1</b>	Main & 8th SWC	 	1, 2, 3, 4, 5, 6, 7A, 7B, 8x, 9, 10, 11, 16, 40, 43